



Safety Track

ST-1200

User and Installation Guide



A detailed guide on how to use and install your new ST-1200 unit.

Specifications

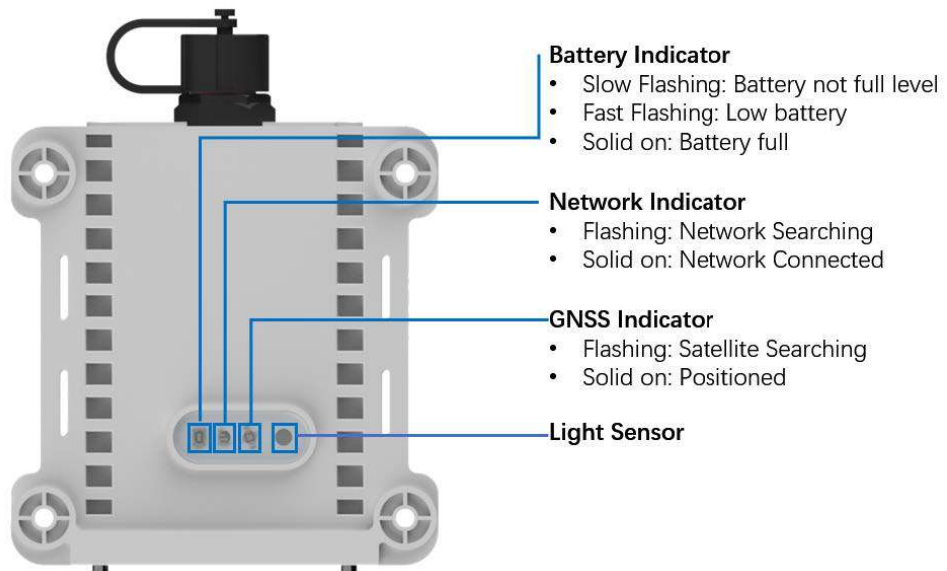
Waterproof	IP67
Dimensions	132mm*100mm*34mm(5.2” *3.93” *1.34”)
Weight	320g (11.3oz)
Battery	Rechargeable Li 9600 mAh/ 3.6V
Standby Time (2 hours active tracking per day without accessories and charging)	10 minutes reporting: 320Days 5 minutes reporting: 170Days 1minute reporting: 68Days
Operating Temperature	-25°C ~ +70°C (-13°F ~ 158°F)
Mounting	Magnet/Screw

Accessories Included

- USB Cable
- Extension Cable



LED Indicator





Wire Definition

IMEI:86011204707XXXX

Operating Voltage:
DC 7~60V

USB Charging Rate:
5VDC/500mA

Internal Rechargeable
Battery:9600mAh/3.6V



Vin(DC 7~60V)	Red
GND	Black
Din0(ACC)	White
Din1	Blue
Din2	Orange
Ain0(0~32V)/Din3	Cyan-Blue
Ain1(0~32V)/Din4	Purple
Ain2(0~32V)/Din5	Pink
Dout0	Green
Dout1	Brown
Dout2	Yellow
Vout(5V/0.4A 12V/0.15A)	Gray

Troubleshooting

- Tracker Shows Offline
 - Check the external power voltage to see whether the tracker is disconnected from external power.
 - Check whether the vehicle entered network blind area.
- Unable to Locate
 - Is the top side facing upwards without shielded by metallic things during the installation?
 - Does the vehicle enter an area with no satellite coverage?
- Location Drift
 - In an area with poor GNSS signal (like the areas with lots of high buildings), location drift may happen. When move to open area, the drift will no longer exists.

Installation

- Power Extension Cable
 - Unscrew the cap of the tracker
 - Plug the extension cable to make it solid attached.
 - Tighten the cap on the extension cable until it can't be turned any more.



This unit can be installed with either magnets, screws, or sticky tape. It requires clear view to get sunshine to power the device. Below are common placements for putting it on the dashboard. They can be placed anywhere with clear line to the sun on a semi truck or trailer as well.



Optional Accessories

<p>Temperature Sensor</p>	<p>BLE5.0 Wireless Temperature & Humidity Sensor</p>	
<p>Door Sensor</p>	<p>BLE5.0 Wireless Door & Temperature Sensor</p>	
<p>PTO Sensor</p>	<p>BLE5.0 Wireless Relay</p>	

