



Safety Track

ST-2600

User and Installation Guide

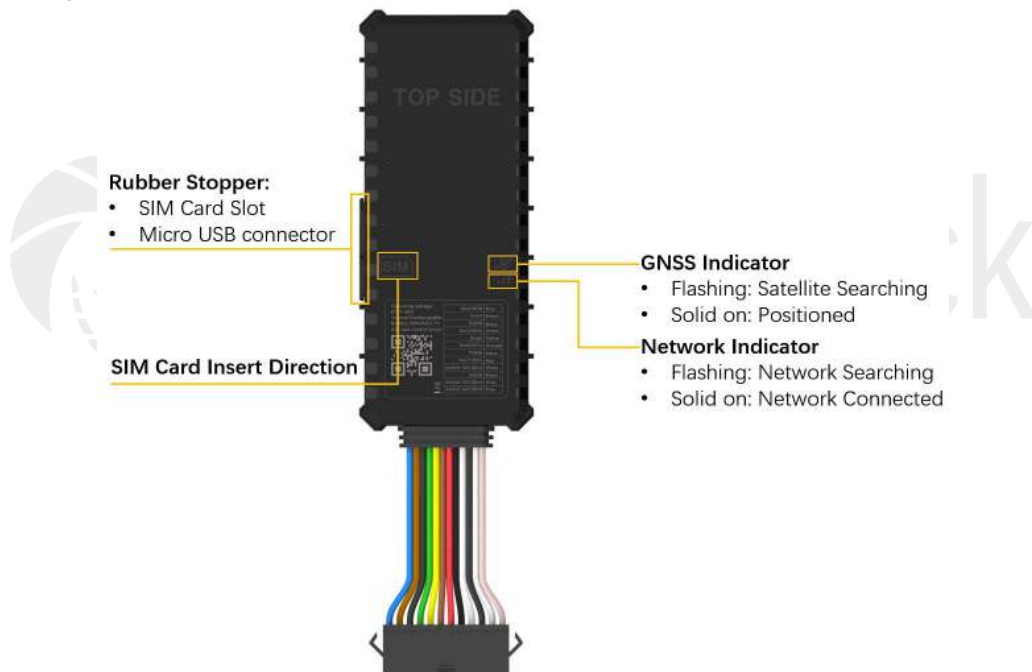


A detailed guide on how to use and install the device

Specifications

Waterproof	IP65
Dimensions	102.5mm*42.5mm*12mm (4.04" *1.67" *0.47")
Weight	55g(1.94oz)
Battery	Li-Polymer 200 mAh/ 3.7V
Operating Voltage	7V to 60V DC
Operating Temperature	-30°C ~ +80°C (-22°F ~ 176°F)
Storage Temperature	-40°C ~ +85°C (-40°F ~ 185°F)

LED Indicators




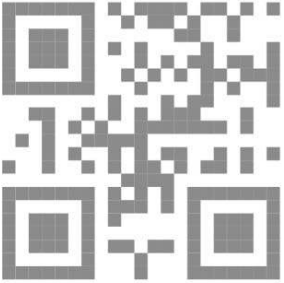
Accessories

- Adhesive Tape
- Extension Wire



Wire Definition

Operating Voltage:
DC 7~60V
Internal Rechargeable
Battery:200mAh/3.7V
IMEI:86011204707XXXX



Din2/RPM	Blue
Dout1	Brown
DGND	Black
Din1(SOS)	Green
Dout0	Yellow
Din0(ACC)	Orange
PGND	Black
Vin(7~60V)	Red
Ain0(0~32V)Din3	White
AGND	Black
Ain2(0~32V)Din4	Gray
Ain2(0~32V)Din5	Pink

Troubleshooting

- Tracker Shows Offline
 - Check the external power voltage to see whether the tracker is disconnected from external power.
 - Check whether the vehicle entered network blind area.
- Unable to Locate
 - Is the top side facing upwards without shielded by metallic things during the installation?
 - Does the vehicle enter an area with no satellite coverage?
- Location Drift
 - In an area with poor GNSS signal (like the areas with lots of high buildings), location drift may happen. When move to open area, the drift will no longer exists.

Optional Accessories

<p>Temperature Sensor</p>	<p>BLE5.0 Wireless Temperature & Humidity Sensor</p>	
<p>Door Sensor</p>	<p>BLE5.0 Wireless Door & Temperature Sensor</p>	
<p>PTO Sensor</p>	<p>BLE5.0 Wireless Relay</p>	



Installation Steps:

1. Remove contents from package:

- GPS Tracking Unit
- Power Harness
- Double Sided adhesive



2. Connect Unit to Power Harness

- Connect the GPS Tracking unit to the power harness by lining up the color of the wires
- Make sure it “snaps” together and is secure
- This connection can be made extra secure by using electrical tape on the connection

3. 3 Wires

- Only 3 wires will be used, these will be located near the middle
- Red - Power
- Orange - ACC/Ignition
- Black - Ground

4. Connect to Power

- Once the device is connected to power, you will briefly see red lights indicating power
- The device can now be mounted
- Mount the device with sightline to the sky under the dash with the “TOP SIDE” facing up

Contact support at 734-325-6060 to verify